



Works™

Embedded Nastran for SolidWorks

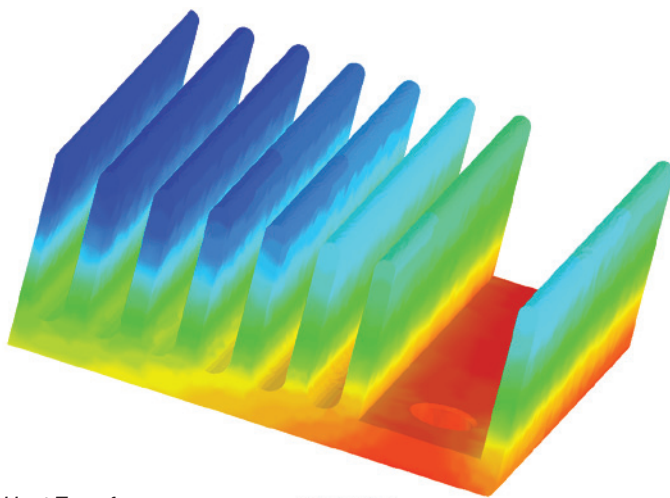


1. Thermal Stress

- Nodal temperatures can be found in a thermal analysis and used in a structural analysis to determine stress and deflection

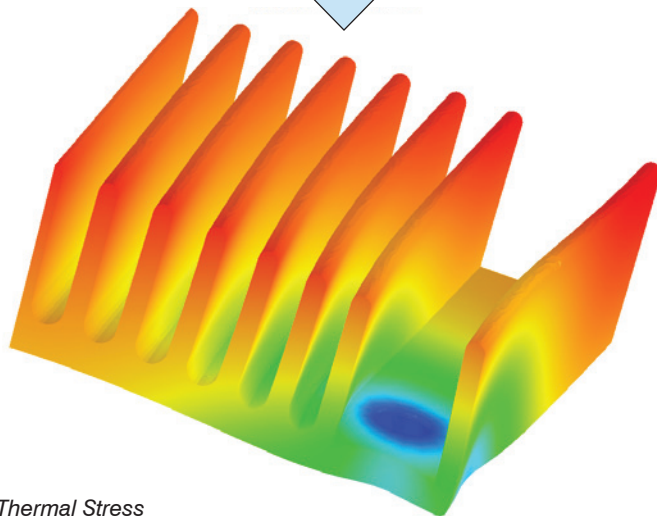
2. Nonlinear Transient Response

- Nonlinearities (contact, material, large displacement) can all be captured in the time domain
- Enhanced user control of nonlinear parameters



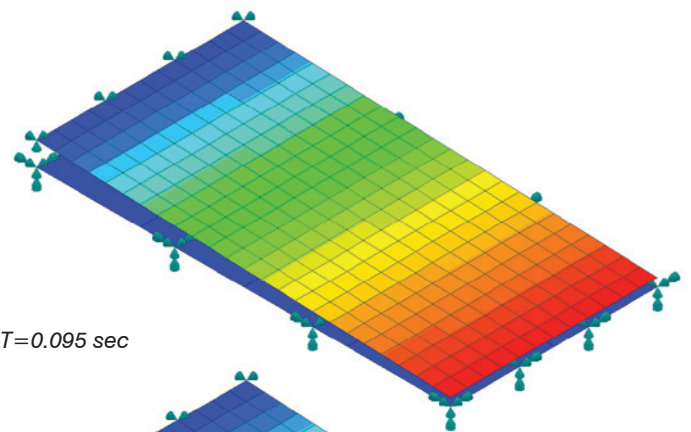
Heat Transfer

OUTPUT SET: SUBCASE 1
CONTOUR: TEMPERATURE

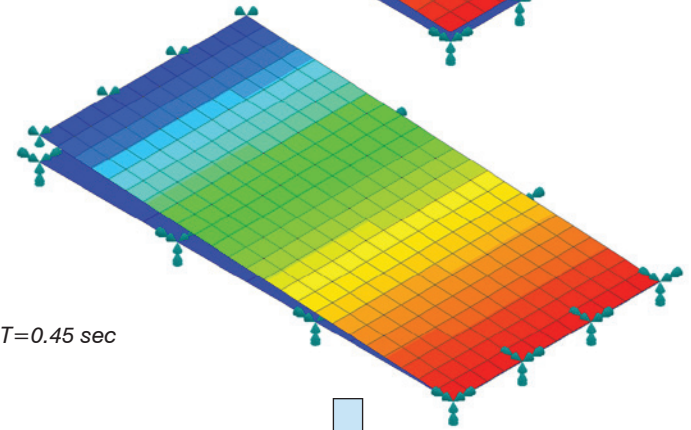


Thermal Stress

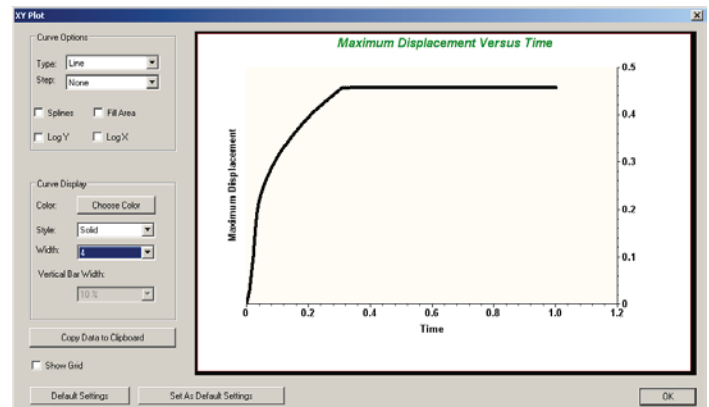
OUTPUT SET: SUBCASE 1
DEFORMED TOTAL: (MIN=0, MAX=0.000274577)
CONTOUR: DISPLACEMENT (TOTAL)



T=0.095 sec

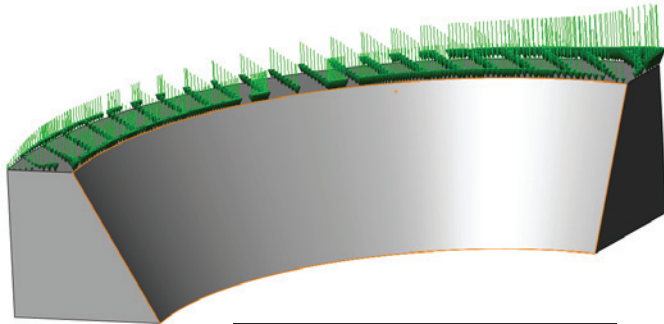


T=0.45 sec



3. Variable Loading

- Loads can now be varied using a surface definition detailing how the surface is scaled in space



Variable Load Definition

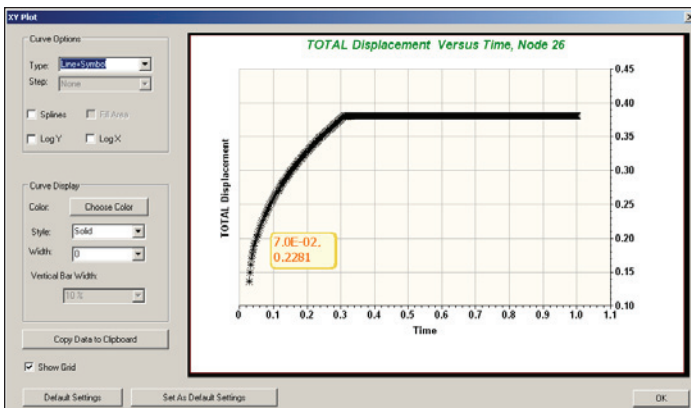
Selected Entities:

Add

X	Y	Z	Scalar
32.663501	30.480000	70.047104	1.000000
41.479976	30.480000	59.540038	6.000000
41.479976	30.480000	-59.540038	3.000000
32.663501	30.480000	-70.047104	10.000000

4. XY Plot Enhancements

- Logarithmic axis options (x and y)
- Hover over data point display



5. Beam / Bar Enhancements

- Beam element cross-section visualization
- Interactive cross-section definition
- Combined shell and beam meshing
- Cross-section display for shell elements

Cross Section Definition

Shape: I Tapered Beam

End A End B

DIM1 (in): 5.000000

DIM2 (in): 2.000000

DIM3 (in): 2.000000

DIM4 (in): 0.250000

DIM5 (in): 0.250000

DIM6 (in): 0.250000

Properties:

Area (in²): 2.125000

Izz (in⁴): 7.544271

Iyy (in⁴): 0.339193

Izy (in⁴): -0.000000

J (in⁴): 0.045733

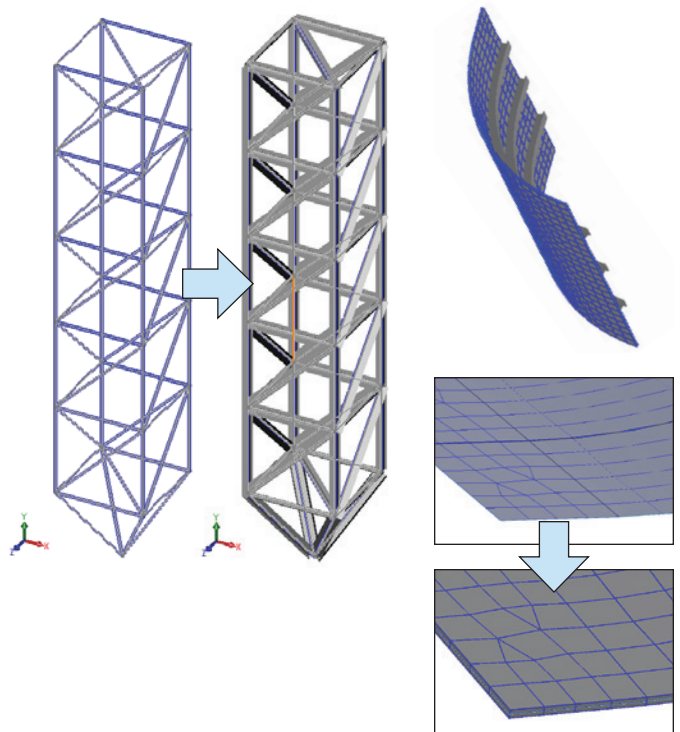
Shear factor in Z: 0.424171

Shear factor in Y: 0.543575

Shear center offset in Z (in): 0.000000

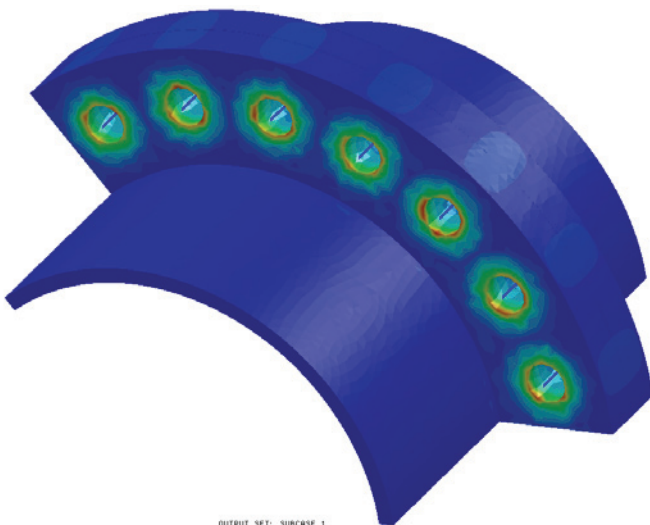
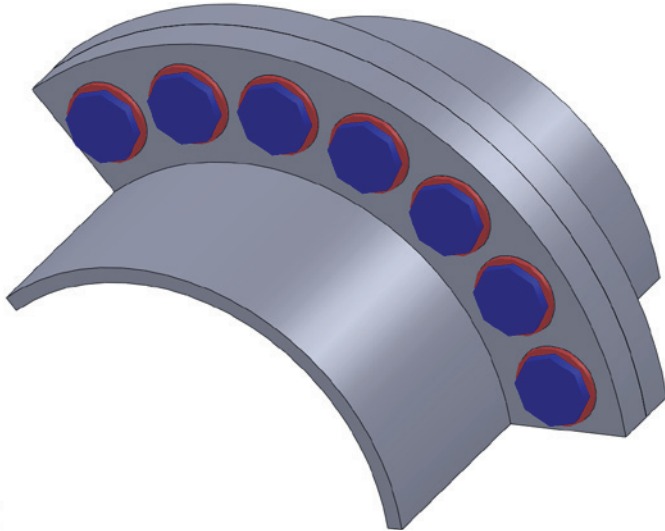
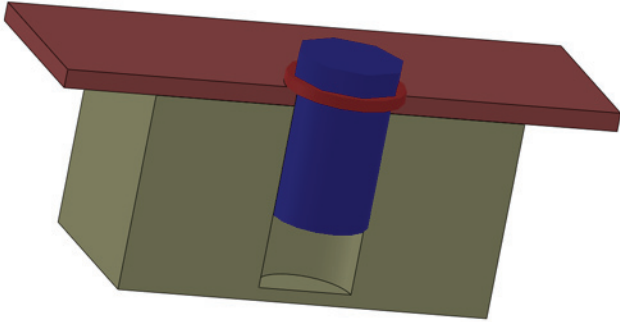
Shear center offset in Y (in): 0.000000

Draw End A Draw End B Load... Save... OK Cancel



6. Automated Bolted Joints

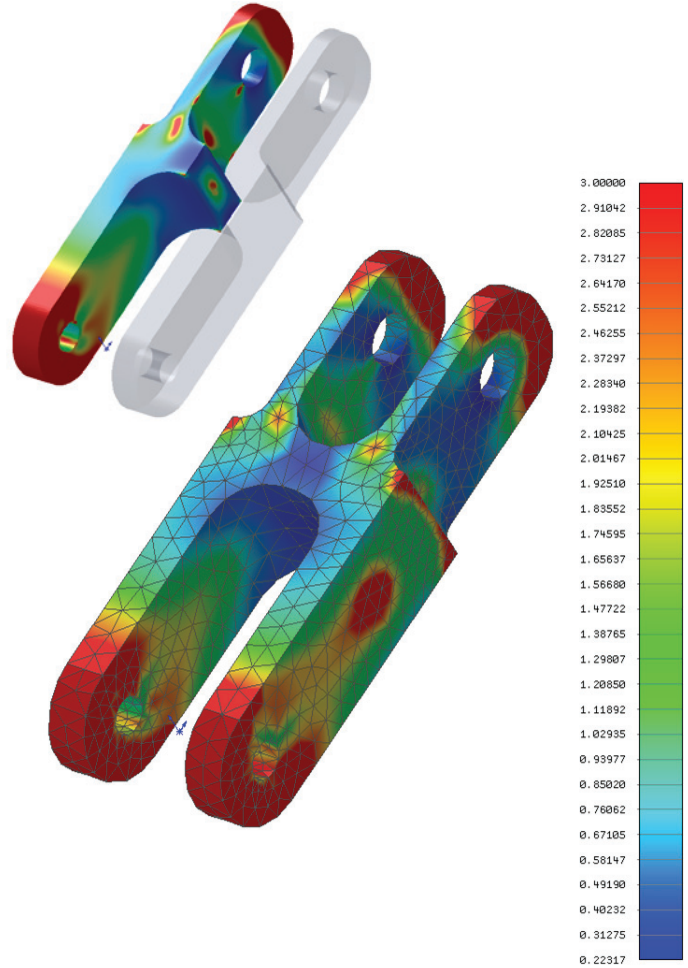
- Bolts and cap screw joints can be automatically created by selecting appropriate geometry
- Washers, custom materials, and preload can all be added



OUTPUT SET: SIMCASE 1
DEFORMED TOTAL: (MIN=-1.24039E-6, MAX=8.70478E-6)
CONTOUR: SOLID VON MISES

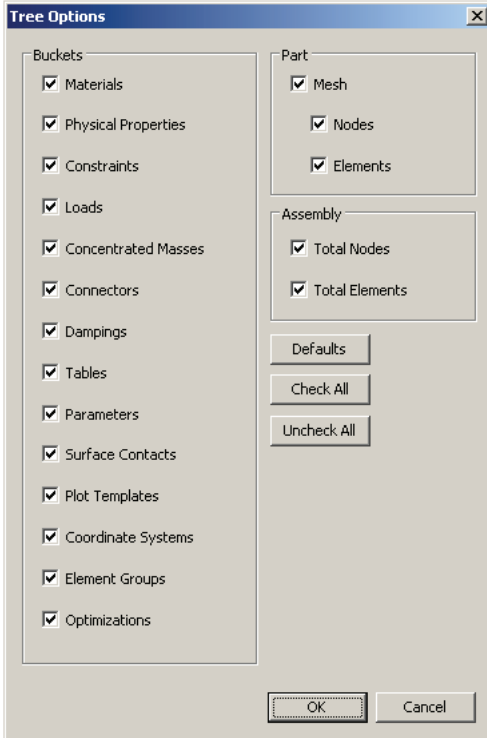
7. Failure Theories

- Factor of safety contour plots based upon **Von Mises** and **Maximum Principal** stress theories can be created



8. Tree Simplification Enhancement

- Items can be removed from the analysis tree that may not be used, or to simplify the tree view for maneuverability



9. Multi-Surface Contact Surface Selection

- Multiple surfaces can now be selected for easy surface contact definition across multiple surfaces



NEi Software

5555 Garden Grove Blvd., Ste 300
Westminster, CA 92683-1886
United States

Phone: +1 (714) 899-1220
Fax: +1 (714) 899-1369
E-mail: info@neissoftware.com
Website: www.NEiSoftware.com

